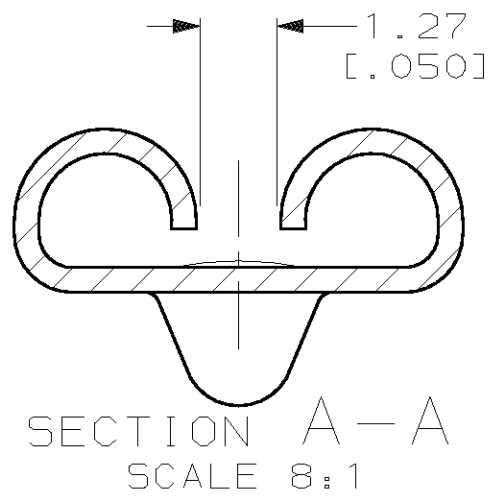
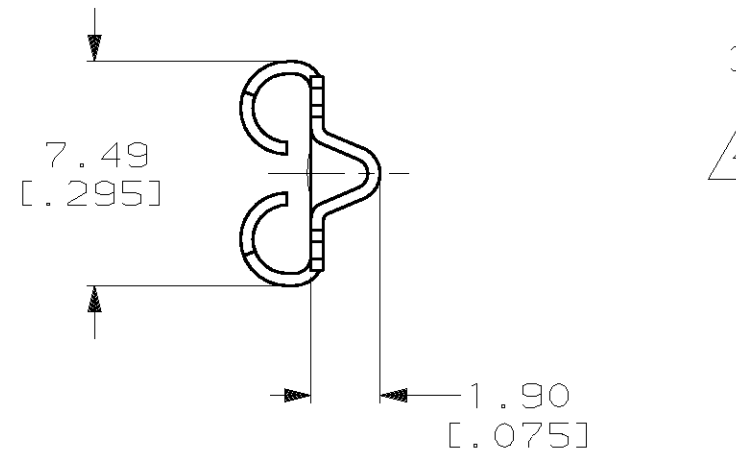
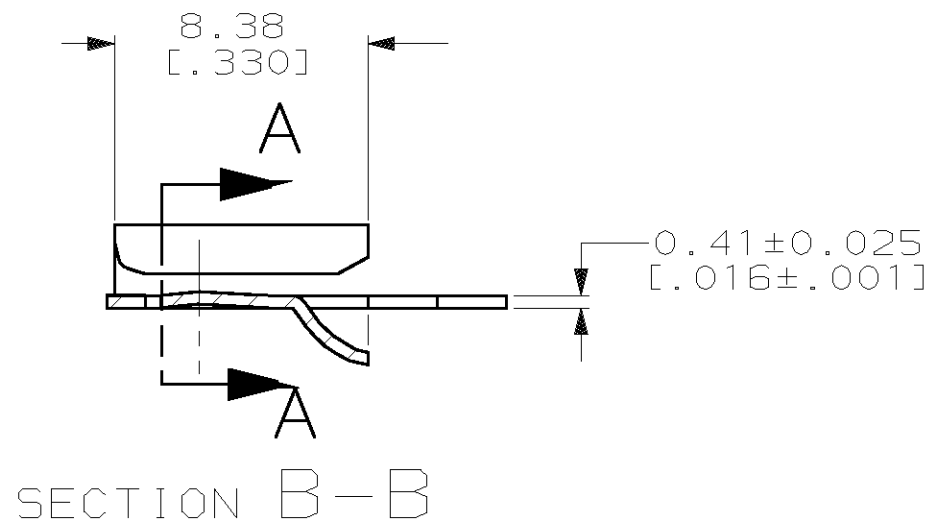
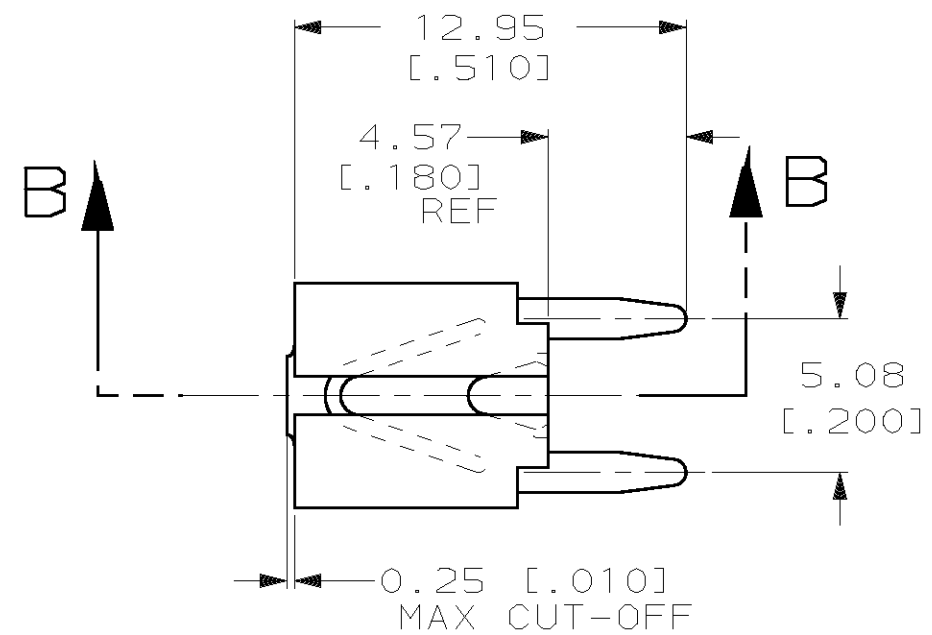
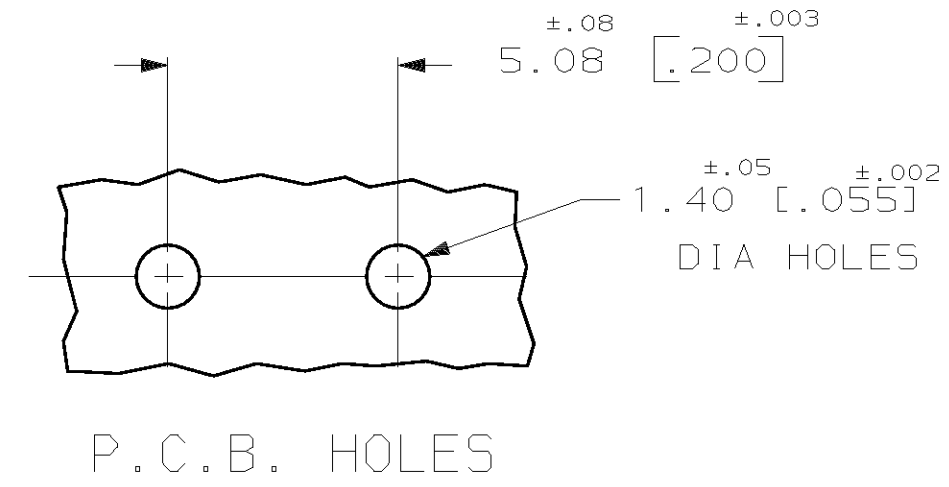


THIS DRAWING IS UNPUBLISHED. RELEASED FOR PUBLICATION, 19  
 © COPYRIGHT 19 BY AMP INCORPORATED. ALL INTERNATIONAL RIGHTS RESERVED.

LOC	DIST	P	F	ZONE	LTR	DESCRIPTION	DATE	APPD
AF	50				A	REL PER 063A-0020-02	16JAN02	JR/PD



- 1 SUPPLIED IN LOOSE PIECE.
- 2 0.00254 [.000100] MIN THK TIN OVER 0.00127 [.000050] MIN NICKEL
- 3 MATING TAB THK IS 0.635 ± 0.025 [.025 ± .001].
- 4 PREPRODUCTION - FASR REQ



1217422-1  
 PART NO

THIS DRAWING IS A CONTROLLED DOCUMENT FOR AMP INCORPORATED. IT IS SUBJECT TO CHANGE AND THE CONTROLLING ENGINEERING ORGANIZATION SHOULD BE CONTACTED FOR THE LATEST REVISION.

DO NOT SCALE PRINT. UNLESS SPECIFIED DIMENSIONS IN mm [INCHES] TOLERANCES ON: 2 PLC DEC ± 0.25 [.010] 3 PLC DEC ± - ANGLES ± -	DR 26MAY00 JR RUTH	<b>AMP</b> AMP Incorporated Harrisburg, PA 17105-3608
	CHK 26MAY00 MS FEHER	
MATERIAL H04 BRASS	APPD 26MAY00 P DESANTIS	NAME RECEPTACLE, FASTON™ 6.35/5.21 [.250/.205] SERIES, PC BOARD MOUNTED
FINISH TIN OVER NICKEL	APPD 26MAY00 P DESANTIS	SIZE <b>B</b> CAGE CODE 00779 DRAWING NO <b>C</b> =1217422
	PRODUCT SPEC -	SCALE 4:1 SHEET 1 OF 1
	APPLICATION SPEC -	
	WEIGHT -	